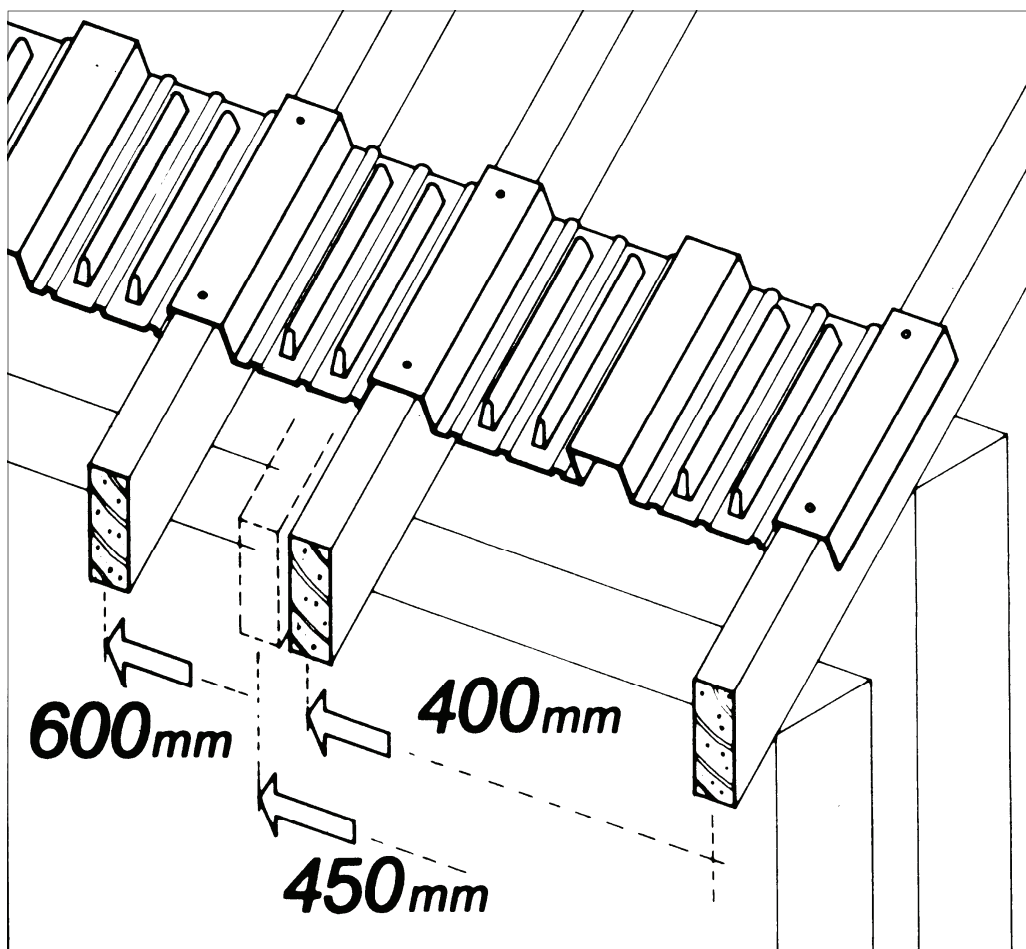


FIXING INSTRUCTIONS

EV ROLL VENTILATOR

1. Attach one piece of the Continuous EV Roll Ventilator by placing the end square corrugation over the rafter and fixing with staples or nails.
2. The ventilator should be placed to ensure the airflow from the soffit area is not restricted by the roof insulation.
3. By lightly stretching the roll along its length, the square corrugations will fall into line automatically with rafters at 400mm and 600mm centres and can easily be extended to suit 450mm centres.
4. Fix at each rafter, at the top and bottom of the ventilator roll. To maintain a continuous panel, adjoining strips are overlapped at the rafter position.
5. The roof insulation should extend under the panel to the top of the cavity.



Company names and product descriptions are the Registered Trade Marks of the relevant manufacturer

FOR FURTHER INFORMATION ON ALL GLIDEVALE PRODUCTS PLEASE CONTACT:

.....

GLIDEVALE LIMITED

2 Brooklands Road, Sale, Cheshire, M33 3SS

Telephone: (+44) 0161 905 5700 Fax: (+44) 0161 905 2085 Web: www.glidevale.com Email: info@glidevale.com

BPD

A Member of the Building Product Design Group